

GPS Speed Limitation Solution For Your Vehicles



"Slow down, **Safe trip wherever you go**"



GPS Speed Limit Solution

GT2000SLF



Summary & Features

GT2000SLF

GPS Vehicle tracker

GT2000 is a GPS tracking device that utilizes the latest GPS, and Cellular technologies to provide the location, direction, speed and history of your vehicle. You can track your devices and manage your account via the website.

This device is cost-effect, and highly recommended to use in fleet management, vehicle tracking, security, logistic and rental service companies, with its imported module, supports function extensions, like fuel monitoring, Firmware update OTA, etc. it is helpful in fleet management and security.



Features:

- 1.Tracking via SMS or GPRS or LBS
- 2.Living location report
- 3.Tracking by time interval/distance
- 4.Geo-fencing control and alarm
- 5.Speeding alert
- 6.Get detail address via SMS directly
- 7.External power cut alert
- 8.GOOGLE MAP link for location via SMS and call
9. Remote engine/fuel cut
10. ACC Detection
11. SOS panic button,emergency alarm.
12. 2 ways communication (option)
13. Mileage calculation report
14. Fuel monitoring (option)
15. Firmware updating OTA (option)
16. Voice monitoring (option)
17. Speed limitation (option)



Tracking Solution



Online Tracking System

online tracking system will offer help in dispatch, vehicle rescue, navigation, etc. In this system, when accident occurred, control room can dispatch the car which near the scene for rescue operation, with its real-time traffic status map, it will tell you the roads with better traffic status.



Real time tracking

User can do the live tracking via the platform, and know the exact location of any vehicle, once accident occurred, can dispatch another vehicle for rescue operation in time.

Navigation

Tell the police how to go to the accident scene as soon as possible, meanwhile, support map with realtime traffic status and find the road with smooth traffic, it is very helpful while it is traffic jam.



Route setting

User can set the route on the map directly and set speed limit, the vehicle should move according to the preset route at the speed limit, or else, the platform send out the alarm, it can help to avoid high speed driving



Installation & Usage

GT2000SLF

Hardware and Accessories



- 1 GPS Antenna
- 2 Speaker Port
- 3 MIC Port
- 4 GSM Antenna
- 5 GPS LED Light
- 6 Cables Interface
- 7 GSM LED Light
- 8 SIM Card Slot
- 9 USB Port
- 10 Switch



Installation Process

SIM Card Installation

Check that the SIM card does not run out of credit (test the SIM card in a phone to make sure it can send and receive SMS).
Check that the SIM card has opened GPRS function.
Check that the SIM card lock code is turned off.
If you require the function of sending a SMS location report to the authorized phone number when it makes a call to GT2000 please make sure the SIM card installed supports displaying caller ID.



Press the yellow button

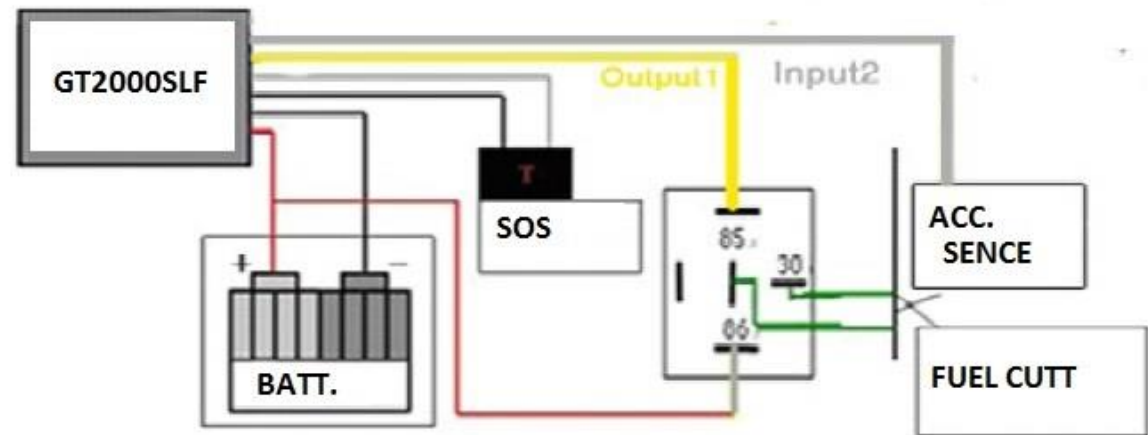


Move out the sim card holder



Insert the SIM card and make sure its chips face up.

GT2000SLF



1. **2 ways locate vehicle in GPS and LBS.** LBS is Location Based Service. When there is no GPS signal, you still can track the location of the tracker via GSM.
2. **Support Firmware Updating Over The Air(OTA).** If your tracker need to be updated with new firmware, you just need to send out a command.
3. **Speeding Limited.** The user can preset the limited car speed, once car is over the preset speed, the car will be stopped slowly automatically. In the same time, speeding alarm will be sent by SMS.
4. **Fuel monitoring efficiently, no need fuel sensor.** You just need to connect it with the fuel gauge wire and read the data from the platform

Tech Spec

Feature:

Tracking via SMS/LBS/GPRS
Living location report
Tracking by time/distance
Geo-fencing control and alarm
Speeding alert
Get detail address via SMS directly
External power cut alert
GOOGLE MAP link for location via SMS
Remote engine/fuel cut
ACC Detection
In/out area report
LBS Tracking mode
Movement alarm
SOS panic button, emergency alarm
Mileage Calculation report
Two ways communication (option)
Voice monitoring (option)
Temperature monitoring/ (option)
Firmware update over the air
Data recording
Speed limit
Voice notification

Specification:

Power supply: +9V - +35V / 1.5A
Backup Battery: 850mAh
Dimension: 96mm x 76mm x 32mm
Weight : 145g
Operating temperature: -20° to 55° C
Humidity: 5% to 95% Non-condensing
Frequency: GSM850/900/1800/1900Mhz
GPS Chipset : IGPS SIRF-Star III chipset
GPS Sensitivity : -158Db
GPS Frequency: L1, 1575.42 MHz
C/A Code: 1.023 MHz chip rate
Channels: 20 channel all-in-view tracking
Position Accuracy: 10 m, 2D RMS
Velocity Accuracy : 0.1 m/s
Default datum: WGS-84
Reacquisition: 0.1 sec., average
Hot start : 1 sec., average
Warm start: 38 sec., average
Cold start: 42 sec., average